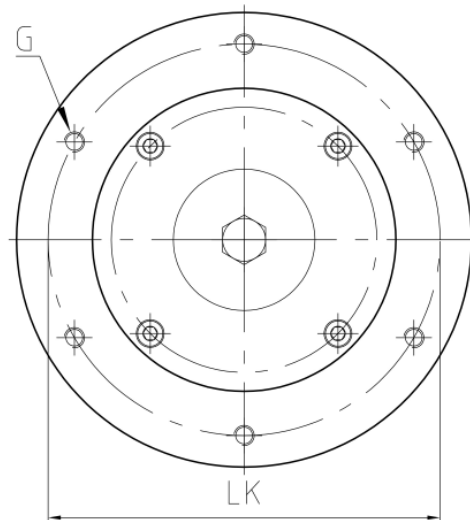
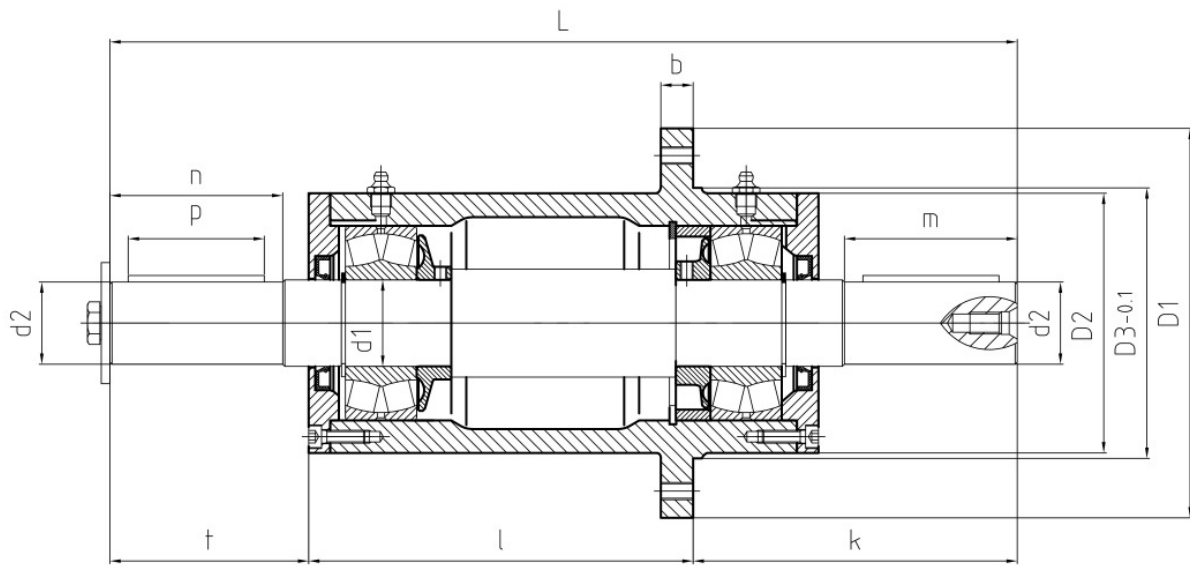
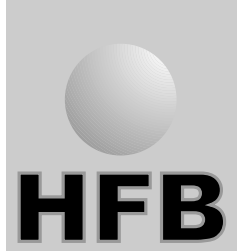


Flanged Double Bearing

Series ZLF HT (high temperature)

Regreaseable



RefNo	d1	d2	D1	D2	D3	LK	G	n	m	k	l	t	b	L	p	Weight kg
ZLF 30 HT	30	28	150	100	105	130	4xM8	60	60	120	148	72	15	340	40	5,60
ZLF 35 HT	35	32	180	120	125	155	6xM8	60	60	130	178	72	15	380	40	6,00
ZLF 40 HT	40	38	180	120	125	155	6xm8	80	80	150	178	92	15	420	63	7,20
ZLF 45 HT	45	40	200	140	145	175	6xM8	80	80	160	178	92	15	440	63	8,00

Bearings

ZLF 30 HT	2 x 22203 C3
ZLF 35 HT	2 x 22207 C3
ZLF 40 HT	2 x 22308 C3
ZLF 45 HT	2 x 22309 C3